

GNSS SPLITTERS

2-WAY GNSS SPLITTERS

ENABLES DUAL USE OF A SINGLE ANTENNA



Extends the use of a single antenna



Multi-frequency and constellation

EXTENDS THE USE OF A SINGLE ANTENNA

The StarLink GNSS Signal Splitter allows you to get more use out of a single antenna by dividing the outgoing signal into two separate GNSS receivers with minimal signal loss (<4db).

The signal splitters operate over a frequency that allow all GNSS and DGPS radio beacon signals to be passed through with efficiency and ease.

NO ADDITIONAL POWER REQUIREMENT

The antenna is powered by the receiver through either the primary or secondary port; which means that the antenna will continue to receive power even if one of the receivers is not functional.

CONNECTIVITY OPTIONS

The Splitter is available in two connector options; the Type N and Type TNC, both built with rugged components.

BT-2DGPS-2DC

The Splitter **BT-2DGPS-2DC** is designed to provide two DGPS receivers with a signal from a single GPS antenna. The DGPS signal splitter can expand the use of a single antenna. The signal splitters operate over a frequency range that allow the GNSS, Inmarsat and L-Band correction signals to be passed to two DGPS receivers. The antenna is powered by the receiver through the primary or secondary ports.

BT-2DGPS

The Splitter **BT-2DGPS** is designed to provide two DGPS receivers with a signal from a single antenna. The signal splitter operates over a frequency range that allow the GNSS, Inmarsat and L-Band correction signals to be passed to two DGPS receivers. The antenna is powered by the receiver through the primary port. The secondary port provides a signal to the second GPS receiver.



+44 (0)1524 383320



info@forsbergpnt.com



SPLITTER SPECIFICATIONS

Weight: 116 g (4.1 oz)

Dimensions:

TNC 76 mm W x 84 mm H (3.00" W x 3.30" H)

TYPE N 76 mm W x 92 mm H (3.00" W x 3.63" H)

Connection: TNC

Relative Humidity: 0-95% non-condensing

Operating Temperature: 0° to +50° C

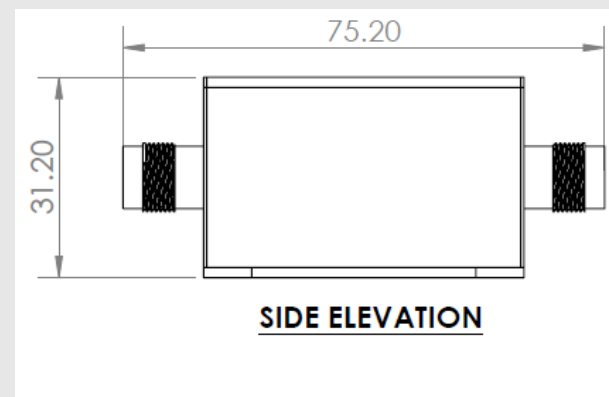
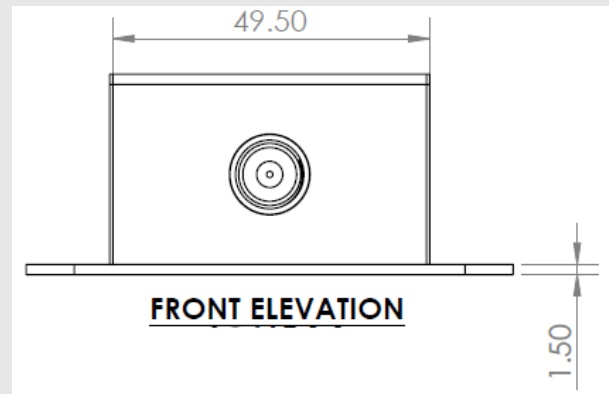
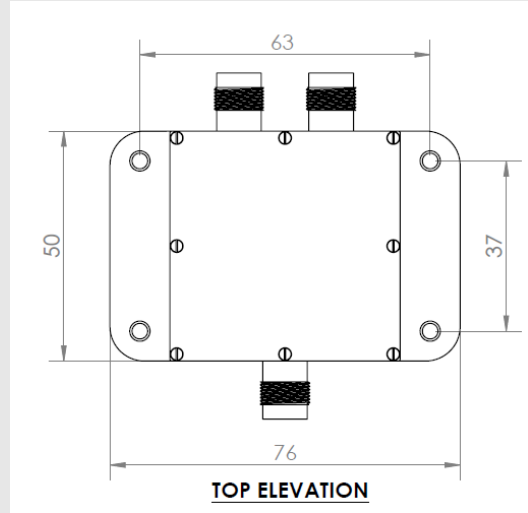
GNSS Signal Loss: 4 dB

Isolation: up to 18 dB

Power:

BT-2DGPS - Receiver powers antenna through primary port

BT-2DGPS-2DC—Receiver powers antenna through either primary or secondary port



© Forsberg Services Ltd. 2020