

CABLE RUN

CUSTOM CABLE SOLUTIONS

TAILORED CABLE RUNS TO SUIT YOUR GNSS REQUIREMENTS



Amplified signal loss solutions



Robust and rugged Connectors



Multi-frequency and constellation

BESPOKE CABLE RUNS

Forsberg can provide a complete cable run solution. Using our StarLink™ range, including inline amplifiers and splitters, we are able to tailor a cable run to your GNSS requirements providing you with the most efficient solution.

CABLE TYPES INCLUDE:

- LMR-400
- RG-213
- RG-58

CONNECTOR TYPES INCLUDE:

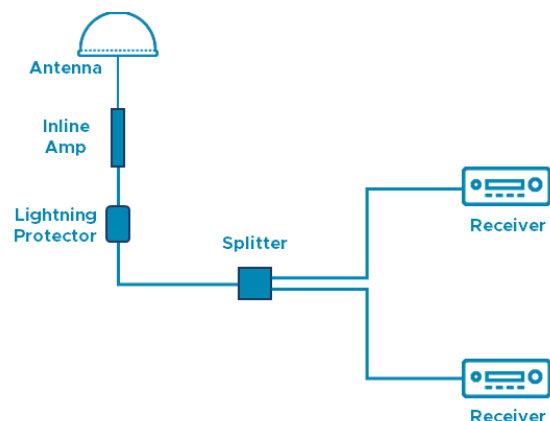
- TNC
- SMA
- N-Type

CAPABLE AND RELIABLE

Our cable solutions utilise products from the StarLink™ range resulting in a more capable and reliable cable run which easily integrates with systems already in use. We are also able to provide full system runs with receivers and antenna when required.

ROBUST AND RUGGED

With a flexible and hardwearing cable sheath and robust and rugged connectors, our cable runs withstand difficult environments.





CABLE RUN SPECIFICATIONS

APPROXIMATE CABLE LOSS EXAMPLES:

Frequency L1, 100M

CABLE TYPE	
LMR-400	19.1dB
RG-213	33.5dB
RG-58	70.8dB

CONNECTOR TYPES*:



SMA Type - Male



TNC Type - Male



N Type - Male

**Other Connector types are available on request*

INLINE AMPLIFIERS SPECIFICATIONS:

- Typical Noise figure for 1575 Inline Amplifiers: < 3 dB.
- Typical Noise figure for L1L2 Inline Amplifiers: < 4 dB.
- Input voltage for all models is from 3 to 28 VDC. Current draw is < 10 ma .
- Operating temperature: -55°C (-67°F) to +70°C (158°F)
- Storage temperature: -55°C (-67°F) to +85°C (185°F)
- Relative humidity: 0 - 100% condensing.
- IP Rating: IP67

BT-2DGPS GPS SPLITTER SPECIFICATIONS:

- Weight: 116 g (4.1 oz)
- Dimensions:
TNC - 76 mm W x 84 mm H (3.00" W x 3.30" H)
TYPE N - 76 mm W x 92 mm H (3.00" W x 3.63" H)
- Relative Humidity: 0-95% non-condensing
- Operating Temperature: 0° to +50° C
- GPS Signal Loss: 4 dB
- Isolation: >18 dB
- Power:
Receiver powers antenna though primary port (BT-2DGPS)
Receiver powers antenna though either primary or secondary port (BT-2DGPS-2DC)

DUC-1 SPECIFICATIONS:

- GPS Frequency: L1 (1575.42 MHz)
- Cable Distance to Antenna: 457.2m (1500 ft)
- Cable Distance to Receiver: 30m (100 ft)
- Coax Cable Type: 50 Ohm