

# CABLE RUN

## CUSTOM CABLE SOLUTIONS

TAILORED CABLE RUNS TO SUIT YOUR GNSS REQUIREMENTS



Amplified signal loss solutions



Robust and rugged Connectors



Multi-frequency and constellation

### BESPOKE CABLE RUNS

Forsberg can provide a complete cable run solution. Using our StarLink® range, including inline amplifiers and splitters, we are able to tailor a cable run to your GNSS requirements providing you with the most efficient solution.

### CABLE TYPES INCLUDE:

- LMR-400
- RG-213
- RG-58

### CONNECTOR TYPES INCLUDE:

- TNC
- SMA
- N-Type

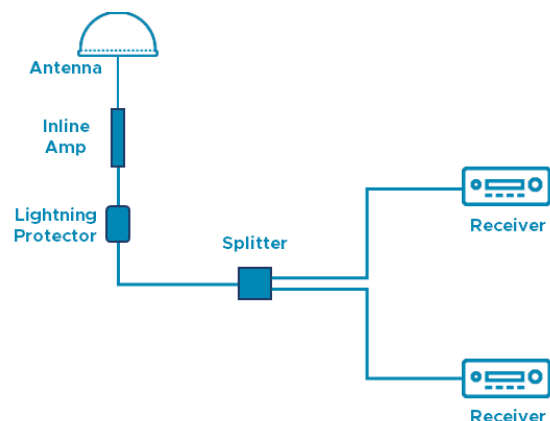
### CAPABLE AND RELIABLE

Our cable solutions utilise products from the StarLink® range resulting in a more capable and reliable cable run which easily integrates with systems already in use.

We are also able to provide full system runs with receivers and antenna when required.

### ROBUST AND RUGGED

With a flexible and hardwearing cable sheath and robust and rugged connectors, our cable runs withstand difficult environments.





# CABLE RUN SPECIFICATIONS

## APPROXIMATE CABLE LOSS EXAMPLES:

Frequency L1, 100M

| CABLE TYPE |        |
|------------|--------|
| LMR-400    | 19.1dB |
| RG-213     | 33.5dB |
| RG-58      | 70.8dB |

## CONNECTOR TYPES\*:



SMA Type - Male



TNC Type - Male



N Type - Male

*\*Other Connector types are available on request*

## INLINE AMPLIFIERS SPECIFICATIONS:

- Typical Noise figure for 1575 Inline Amplifiers: < 3 dB.
- Typical Noise figure for L1L2 Inline Amplifiers: < 4 dB.
- Input voltage for all models is from 3 to 28 VDC. Current draw is < 10 ma .
- Operating temperature: -55°C (-67°F) to +70°C (158°F)
- Storage temperature: -55°C (-67°F) to +85°C (185°F)
- Relative humidity: 0 - 100% condensing.
- IP Rating: IP67

## BT-2DGPS GPS SPLITTER SPECIFICATIONS:

- Weight: 116 g (4.1 oz)
- Dimensions:  
TNC - 76 mm W x 84 mm H (3.00" W x 3.30" H)  
TYPE N - 76 mm W x 92 mm H (3.00" W x 3.63" H)
- Relative Humidity: 0-95% non-condensing
- Operating Temperature: 0° to +50° C
- GPS Signal Loss: 4 dB
- Isolation: >18 dB
- Power:  
Receiver powers antenna though primary port (BT-2DGPS)  
Receiver powers antenna though either primary or secondary port (BT-2DGPS-2DC)

## DUC-1 SPECIFICATIONS:

- GPS Frequency: L1 (1575.42 MHz)
- Cable Distance to Antenna: 457.2m (1500 ft)
- Cable Distance to Receiver: 30m (100 ft)
- Coax Cable Type: 50 Ohm